



# RUGGED, RELIABLE, ROBUST MID-RANGE, FULL COLOR DISPLAY

## THE POWERVIEW™ 450

Rich Feature Set.

Fully Customizable.

Sized for Smaller Machines.



Compact size to fit your application

Bonded LCD for optimum viewability

Streamlined modular design

Easy-to-use configuration software

Data logging

Customizable bezel, buttons, i/o interface and more

The PowerView 450 display is the smaller, sleeker version of the PowerView 750 full color display.

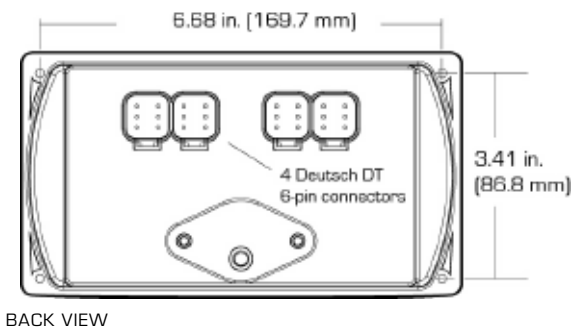
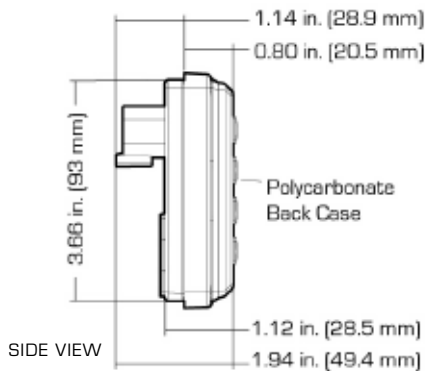
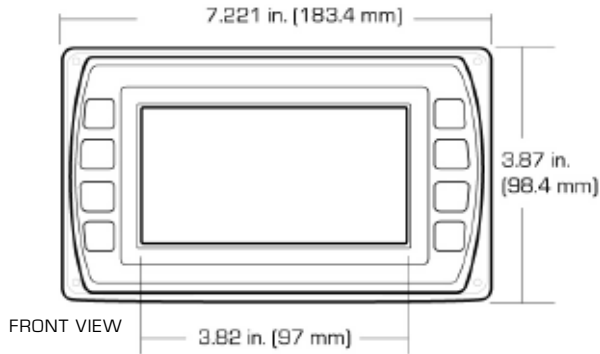
The PowerView 450 model has been redesigned for tighter spaces. With a smaller screen and streamlined design using fewer components, it delivers the same powerful features as the PV750 in a smaller package.

You get the same features and customization software, but in a product that fits small-to-medium machines perfectly. In addition, the PV450 display meets the Interim Tier4/Euro Stage 3B emissions monitoring from the factory.



# THE POWERVIEW™ 450

## STANDARD DIMENSIONS



## TECHNICAL SPECS

- Display: Bonded 4.3" color transmissive TFT LCD
- Resolution: WQVGA, 480 x 272 pixels, 16-bit color
- Aspect Ratio: 16:9
- Orientation: Landscape or portrait
- Backlighting: LED, 500-650 cd/m<sup>2</sup> (30,000 hr lifetime)
- Microprocessor: Freescale iMX35, 32bit, 532MHz
- QNX Operating System
- Flash Memory: 256 MB (expandable to 8GB)
- RAM: 128MB DDR2 SDRAM
- Operating Voltage: 6-32 VDC, protected against reverse polarity and load-dump
- Power Consumption: 10W max
- CAN: up to two CAN 2.0B; optional NMEA 2000 isolation
- RS 485: 1 MODBUS Master/Slave port
- Optional video input: NTSC/PAL - two channel input with one displayed at a time
- Protocols: J1939, NMEA 2000, CANopen
- Connection: 4 Deutsch DT 6-pin connectors
- Keyboard: 8 tactile buttons (supports up to 16)
- USB 2.0 host (full speed), optional OTG support
- Output: 1 Digital, open-drain, capable of syncing 500mA
- Input: 1 Resistive, 0-5V, or 4-20mA
- Real-time clock with battery backup

## ENVIRONMENTAL SPECS

- Operating Temperature: -40° C to +85° C
- Storage Temperature: -40° C to +85° C
- Protection: IP67, front and back
- [IEC reference here](#)
- Emissions: SAE J1113 or customer-specified [IEC emissions here](#)
- Immunity: SAE J1113 or customer-specified
- Vibration: Random vibration, 7.86 Grms (5-2000 Hz), 3 axis [IEC vibration here](#)
- Shock: ± 50G in 3 axis

## ADDITIONAL OPTIONS

- Additional open-drain outputs
- Additional analog inputs
- Digital inputs
- Frequency / Magnetic Pickup / PWM inputs
- Projected capacitance touchscreen

### FW MURPHY

P.O. Box 470248  
Tulsa, Oklahoma 74147 USA  
Phone: +1 918 317 4100 Fax: +1 918 317 4266  
Email: [sales@fwmurphy.com](mailto:sales@fwmurphy.com)

### INDUSTRIAL PANEL DIVISION

Fax: +1 918 317 4124  
Email: [ipdsales@fwmurphy.com](mailto:ipdsales@fwmurphy.com)

### MURPHY POWER IGNITION

Web site: [www.murphy-pi.com](http://www.murphy-pi.com)

### CONTROL SYSTEMS & SERVICES DIVISION

P.O. Box 1819  
Rosenberg, Texas 77471 USA  
Phone: +1 281 633 4500 Fax: +1 281 633 4588  
Email: [css-solutions@fwmurphy.com](mailto:css-solutions@fwmurphy.com)

### FRANK W. MURPHY LTD.

Church Road, Laverstock  
Salisbury, SP1 1GZ, UK  
Phone: +44 1722 410055 Fax: +44 1722 410088  
Email: [sales@fwmurphy.co.uk](mailto:sales@fwmurphy.co.uk)  
Web site: [www.fwmurphy.co.uk](http://www.fwmurphy.co.uk)

### COMPUTRONIC CONTROLS

41 - 46 Railway Terrace  
Nechells, Birmingham, B7 5NG, UK  
Phone: +44 121 327 8500 Fax: +44 121 327 8501  
E-mail: [sales@computroniccontrols.com](mailto:sales@computroniccontrols.com)  
Web site: [www.computroniccontrols.com](http://www.computroniccontrols.com)

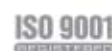
[www.fwmurphy.com](http://www.fwmurphy.com)

### FW MURPHY INSTRUMENTS (HANGZHOU) CO., LTD.

77 23rd Street  
Hangzhou Economic & Technological Development Area  
Hangzhou, Zhejiang, 310018, China  
Phone: +86 571 8788 6060 Fax: +86 571 8684 8878  
Email: [apsales@fwmurphy.com](mailto:apsales@fwmurphy.com)



USA-ISO 9001:2000 FM 28221  
UK-ISO 9001:2000 FM 29422  
Registered Facilities



Printed in U.S.A.

**MURPHY**